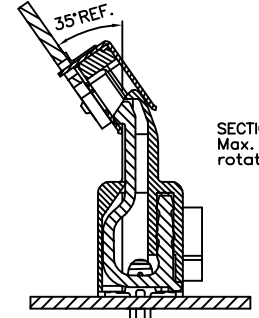
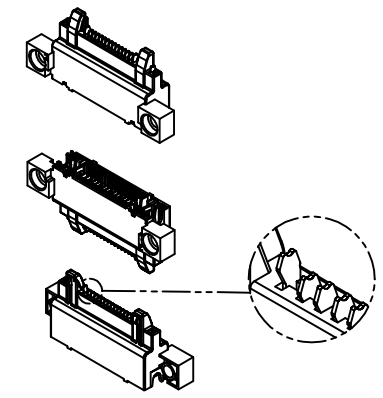
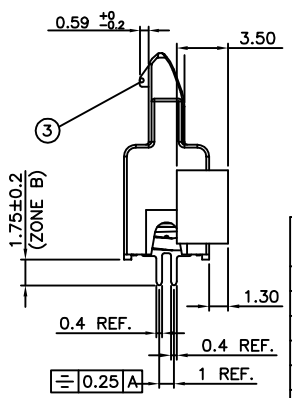
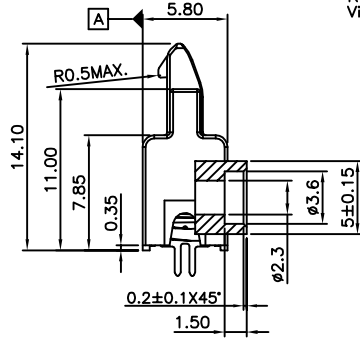
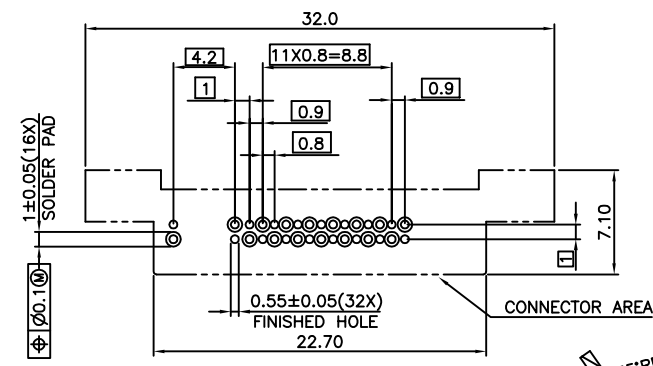
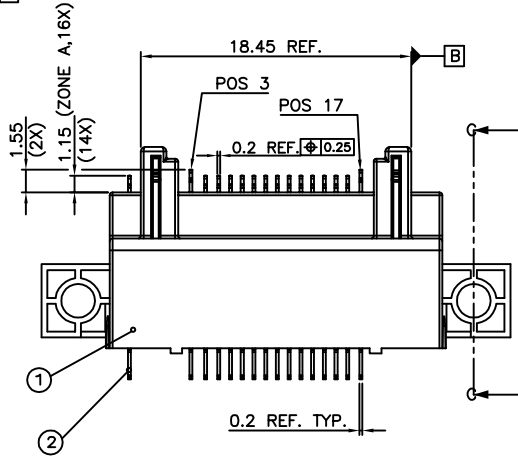
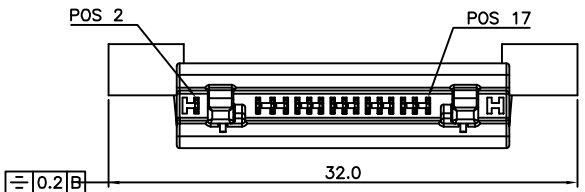
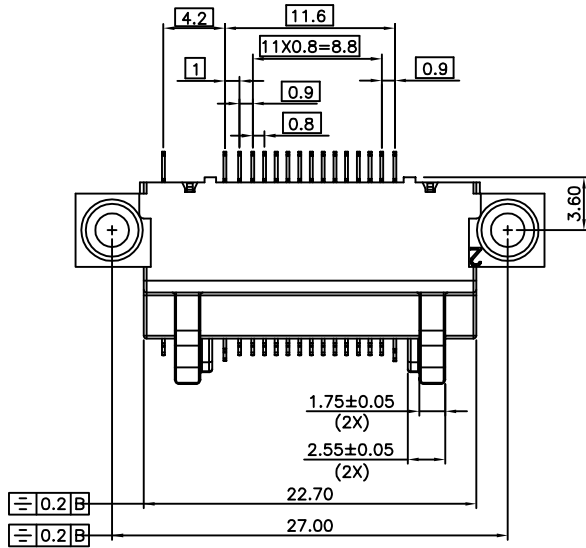


Tous droits strictement reserves. Reproduction ou communication a des tiers interdite sous quelque forme que ce soit sans autorisation écrite du propriétaire. Propriete de c FCI. Droits de reproduction FCI.



All rights strictly reserved. Reproduction or issue to third parties in any form whatever is not permitted without written authority from the proprietor. Property of FCI. Copyright FCI.

PRODUCT NUMBER	CONTACT NUMBER	COLOR	MATERIAL	REMARK
54059-012-LF	16	GRAY	PBT	WITH LATCH
54059-013-LF	16	BLACK	PBT	WITH LATCH
54059-016-LF	16	BLACK	PA-9T	WITH LATCH
54059-017-LF	16	GRAY	PA-46	WITH LATCH
54059-022-LF	16	GRAY	PA-46	WITHOUT LATCH



Required board layout View on backside

SECTION B-B Max. angle to rotate receptacle.

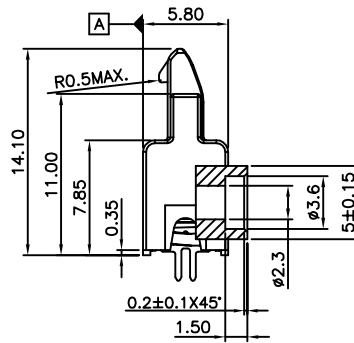
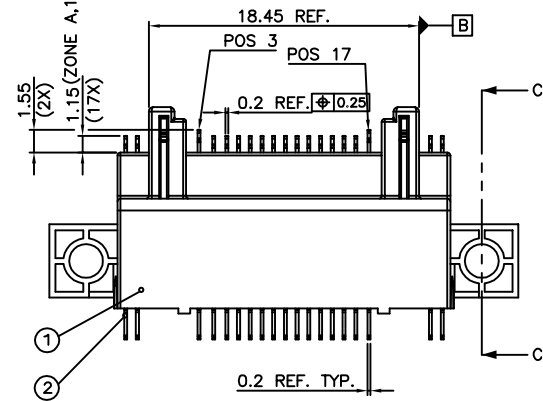
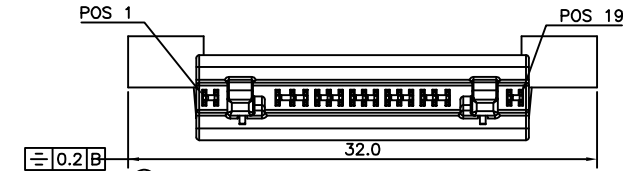
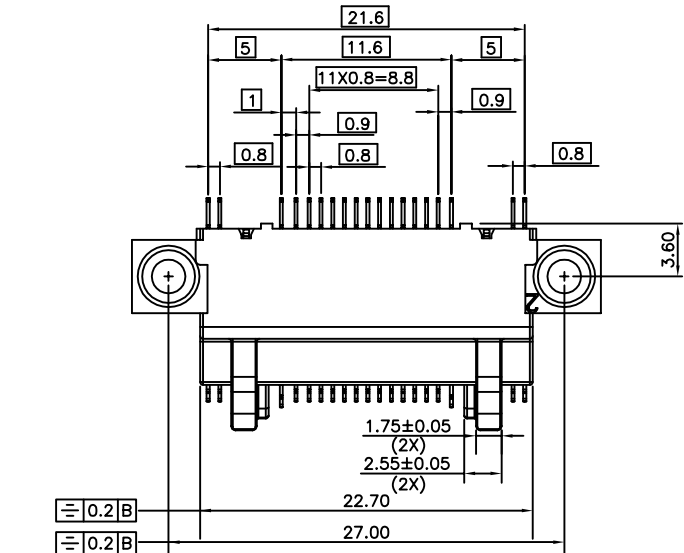
NOTES:

- MATERIAL
 - 1-1 HOUSING: HIGH TEMP. PLASTIC PBT OR PA-46 UL94V-0.
 - 1-2 CONTACT: BERYLLIUM COPPER.
 - 1-3 LATCH: STAINLESS STEEL.
- FINISH
 - 2-1 CONTACT: Ni 1.2um(50u") UNDERPLATED ALL OVER,
 - ZONE A: 0.8um(30u") GXT. GOLD 0.05um(2u")
 - ZONE B: Matte pure Tin 2.5um FOR 54059-012-LF,54059-013-LF, 54059-016-LF,54059-017-LF AND 54059-022-LF
- PACKAGE
 - 3-1 PACKAGING SPECIFICATION: GES-14-535, PRODUCT TO BE PACKED IN TRAYS
- Suffix "-LF" means of lead free plating.
- THE HOUSING OF 54059-016-LF AND 54059-017-LF WILL WITHSTAND EXPOSURE TO 260°C TEMPERATURE FOR 10 SECONDS IN A WAVE SOLDER APPLICATION
- 54059-016-LF AND 54059-017-LF MEETS EUROPEAN UNION DIRECTIVES AND OTHER COUNTRY REGULATIONS AS DESCRIBED IN GS-22-008
- LEAD FREE LABEL ON THE CARTON OF 54059-016-LF,54059-017-LF AND 54059-022-LF PER GS-14-920

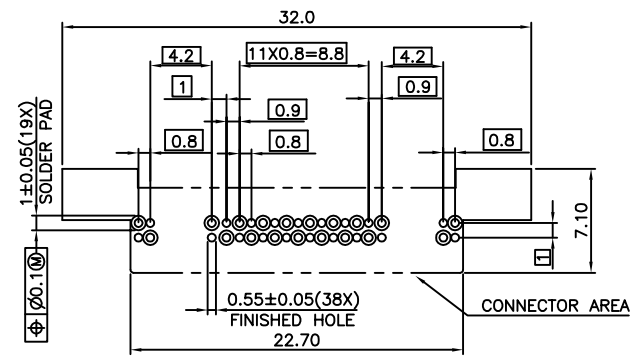
mat'l. code				tolerances unless otherwise specified		CUSTOMER COPY	 www.fciconnect.com
ltr	ecn no	dr	date	linear	.X ± 0.20		
X	DG04-0082	P M	041108	linear	.XX ± 0.10		DESKTOP BLOCK ASSEMBLY
AA	DG05-0019	P M	050128	angles	0° ±5'		
AB	DG05-0207	P M	050706	angles	0° ±5'		size dwg no
AC	DG05-0250	P M	050727	dr	A.0ppers 991028		
AD	DG06-0452	C L	061106	engr	H.Vereijken 991028	scale	1.5:1
AE	DG06-0509	C L	061222	chr	H.v.d.Steen 991028		
AF	DG08-0088	B L	080410	appd	JOSEPH HSIA 991028	sheet index	revision
		AF	X X				
		1	2	3			



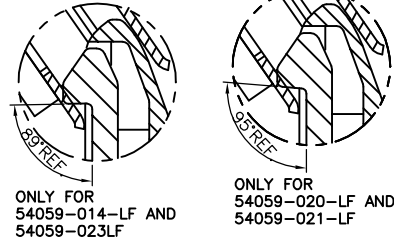
PRODUCT NUMBER	CONTACT NUMBER	COLOR	MATERIAL	REMARK
54059-014-LF	19	BLACK	PBT	LATCH WITH 89° ANGLE
54059-023LF	19	BLACK	PA-9T	LATCH WITH 89° ANGLE
54059-018	19	BLACK	PA-9T	NO LATCH
54059-018-LF	19	BLACK	PA-9T	NO LATCH
54059-019	19	GRAY	PA-46	NO LATCH
54059-019-LF	19	GRAY	PA-46	NO LATCH
54059-020-LF	19	BLACK	PA-9T	LATCH WITH 95° ANGLE
54059-021-LF	19	GRAY	PA-9T	LATCH WITH 95° ANGLE



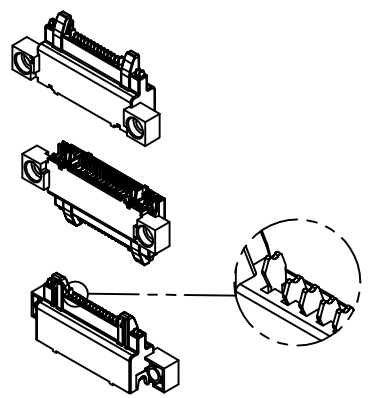
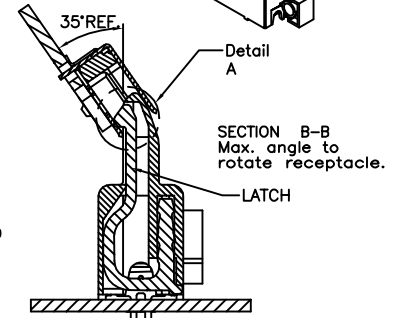
SECTION C-C



Required board layout View on backside



DETAIL A (SCALE 2.5)



- NOTES:
- MATERIAL
 - 1-1 Ⓜ HOUSING: HIGH TEMP. PLASTIC PBT OR EQUIVALENT. UL94V-0.
 - 1-2 Ⓜ CONTACT: BERYLLIUM COPPER.
 - 1-3 Ⓜ LATCH: STAINLESS STEEL.
 - FINISH
 - 2-1 CONTACT: Ni 1.2um(50u") UNDERPLATED ALL OVER,
 - ZONE A: 0.8um(30u") GXT. GOLD 0.05um(2u")
 - ZONE B: SnPb 2.5um FOR 54059-018/019 or matte pure Tin2.5um FOR 54059-014-LF, 54059-018-LF, 54059-019-LF AND 54059-020-LF
 - PACKAGE
 - 3-1 PACKAGING SPECIFICATION: GES-14-535, PRODUCT TO BE PACKED IN TRAYS
 - SUFFIX "-LF" MEANS OF LEAD FREE PLATING.
 - THE HOUSING OF 54059-018-LF, 54059-019-LF, 54059-020-LF AND 54059-021-LF WILL WITHSTAND EXPOSURE TO 245°C TEMPERATURE FOR 10 SECONDS IN A WAVE SOLDER APPLICATION
 - 54059-018-LF, 54059-019-LF, 54059-020-LF AND 54059-021-LF MEETS EUROPEAN UNION DIRECTIVES AND OTHER COUNTRY REGULATIONS AS DESCRIBED IN GS-22-008
 - LEAD FREE LABEL ON THE CARTON OF 54059-018-LF, 54059-019-LF, 54059-020-LF AND 54059-021-LF PER GS-14-920

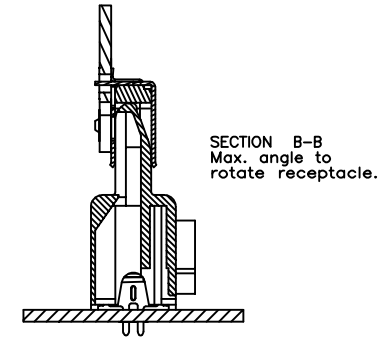
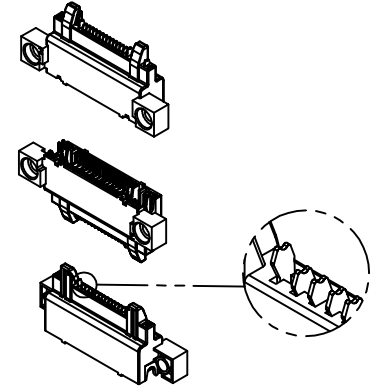
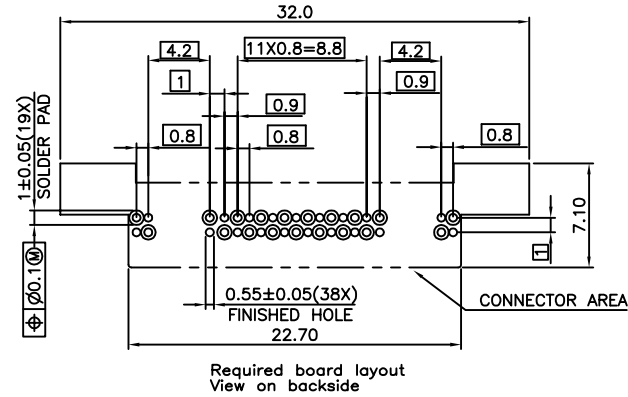
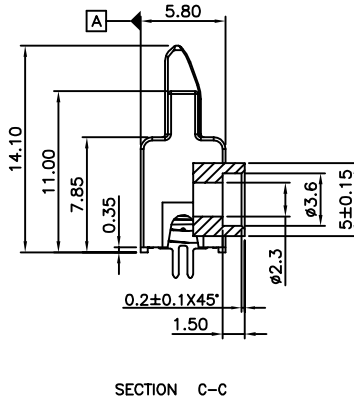
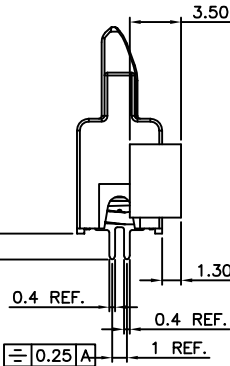
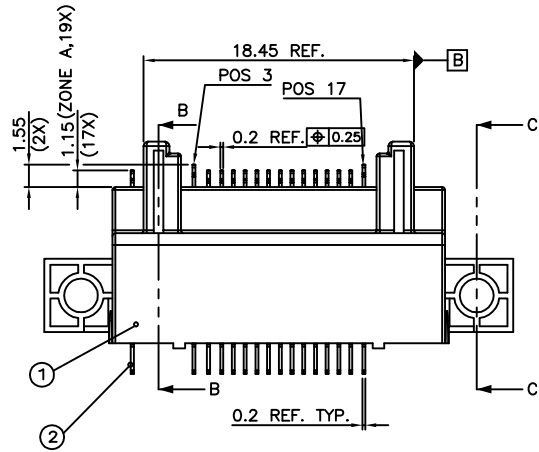
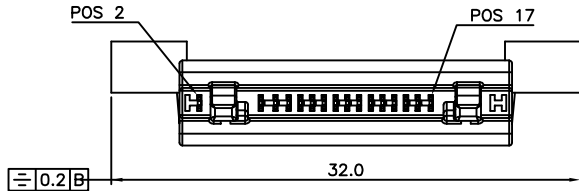
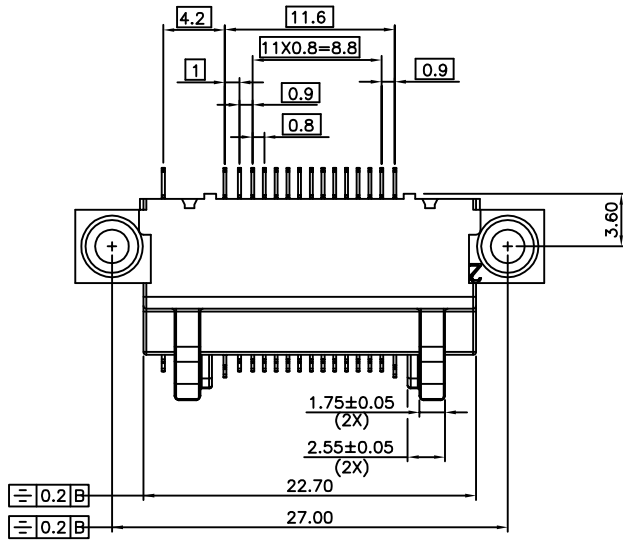
mat'l. code				tolerances unless otherwise specified		CUSTOMER COPY		FCI	
ltr	ecn no	dr	date	linear	.X ± 0.20	projection	www.fciconnect.com		
X				angles	.XX ± 0.10	MM	title		
				dr	0° ± 5'	scale	DESKTOP BLOCK ASSEMBLY		
				enr	A.Oppers 991028	1.5:1	product family	MOBILE I/O	code
				chr	H.Verrijken 991028		size	dwg no	TWN
				appd	H.v.d.Steen 991028		54059		sheet
					JOSEPH HSIA 991028				2 of
sheet index	revision sheet						cage code		
							22526		

Tous droits strictement reserves. Reproduction ou communication a des tiers interdite sous quelque forme que ce soit sans autorisation ecrite du proprietaire. Propriete de c FCI. Droits de reproduction FCI.



All rights strictly reserved. Reproduction or issue to third parties in any form whatever is not permitted without written authority from the proprietor. Property of FCI. Copyright FCI.

PRODUCT NUMBER	CONTACT NUMBER	COLOR	MATERIAL
54059-015-LF	16	GRAY	PBT



NOTES:

- MATERIAL
1-1 ① HOUSING: HIGH TEMP. PLASTIC PBT OR EQUIVALENT. UL94V-0
1-2 ② CONTACT: BERYLLIUM COPPER.
- FINISH
2-1 CONTACT: Ni 1.2um(50u") UNDERPLATED ALL OVER,
--ZONE A: 0.8um(30u") GXT. GOLD 0.05um(2u")
--ZONE B: Matte pure Tin 2.5um(100u")(LF).
- PACKAGE
3-1 PACKAGING SPECIFICATION: GS-14-535, PRODUCT TO BE PACKED IN TRAYS.
- SUFFIX "-LF" MEANS OF LEAD FREE PLATING.

mat'l. code				tolerances unless otherwise specified			CUSTOMER COPY		 www.fciconnect.com		
ltr	ecn no	dr	date	linear	.X ± 0.20	projection	title				
X				angles	.XX ± 0.10		DESKTOP BLOCK ASSEMBLY				
				dr	A.Oppers 991028	MM	product family	MOBILE I/O	code		
				enr	H.Vereijken 991028	scale	size	dwg no	TWN		
				chr	H.v.d.Steen 991028	1.5:1	54059		sheet		
				appd	JOSEPH HSIA 991028				3 of		
sheet index	revision sheet										